

# RL3/3e & RL4/4e

Replacement Parts Catalog ■■■



right by our customers. ■■■



datamax·o'neil



# Table of Contents

**Printer Assemblies..... 1**

    Printer Assembly 1 of 2 .....2

    Printer Assembly 2 of 2 .....3

    Platen and Presenter Assemblies.....4

    Printed Circuit Board Assemblies .....5

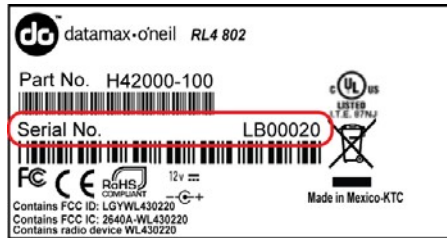
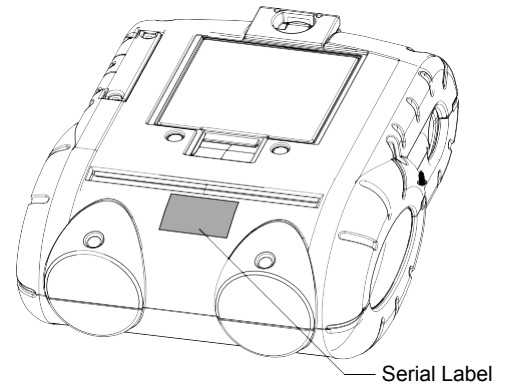
    Wireless and Bluetooth Modules .....6

    Battery and Cables .....7

    Hardware and Materials .....8

### Using this Manual

This manual covers the RL3/3e & RL4/4e printers. Before using this manual it is important to identify the model printer and serial number you are locating parts for. Many parts are used across all models, yet some are specific to certain serial numbers. The serial number is located on the serial label on the bottom of the printer.



Printer	Version	Serial# Range	Comments
RL3	N/A	All	Original Release
RL4	Gen1	Serial# LB05676 or earlier	Original Release
RL4	Gen2	Serial# LB05677 or later	New Frame/Media Arms
RL4	Gen3	Serial# LB11800 or later	New PCBAs
RL3e & 4e	N/A	All	Original Release

For more information on ordering or becoming a partner please contact:

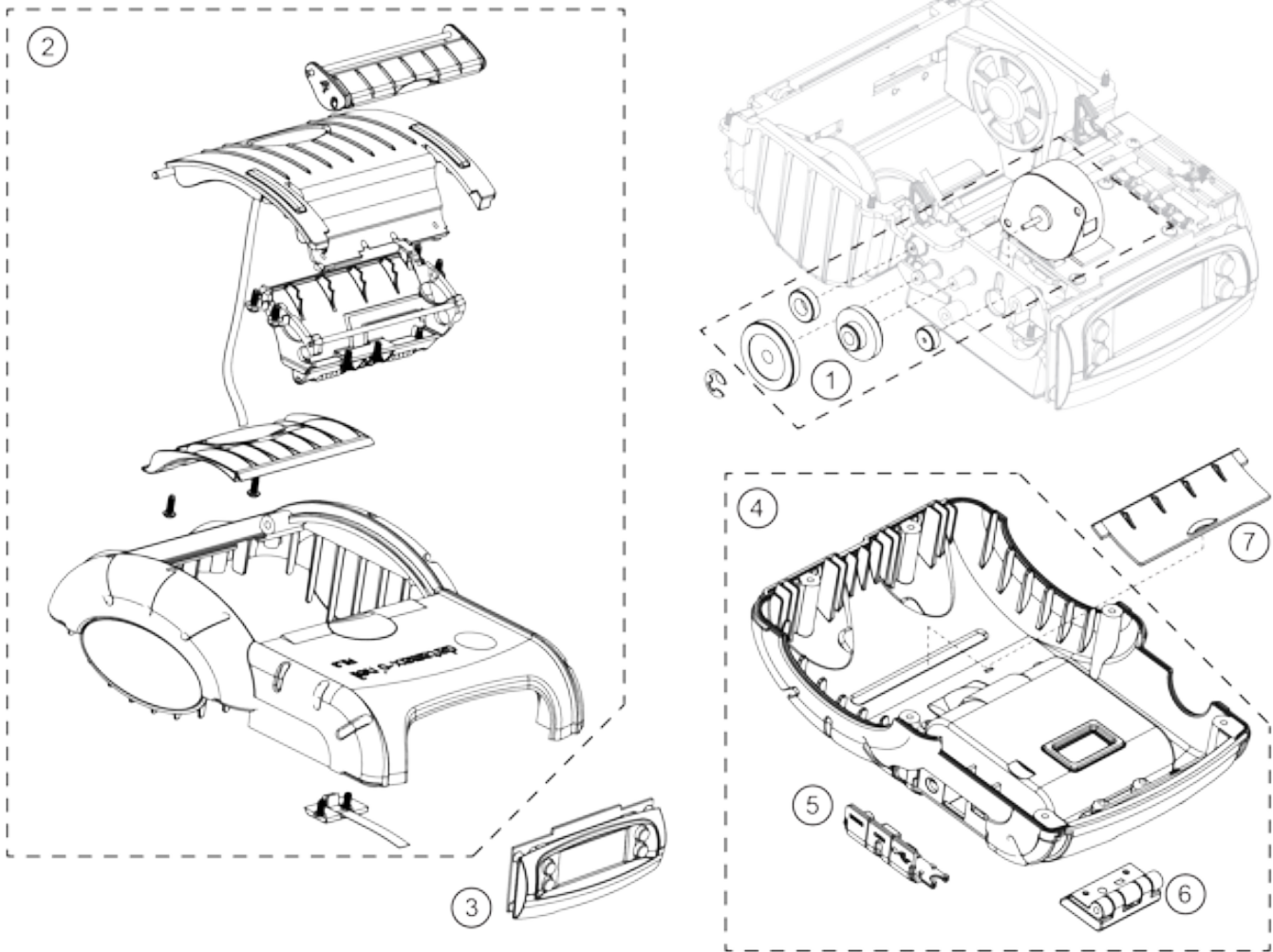
**Datamax-O'Neil Customer Care**  
 407-523-5550  
*customercare@datamax-oneil.com*

### Revision Listing

Date	Rev.	Changes
4/1/13	A	Initial Release
2/25/15	B	Addition of RL3e and RL4e Printer Models

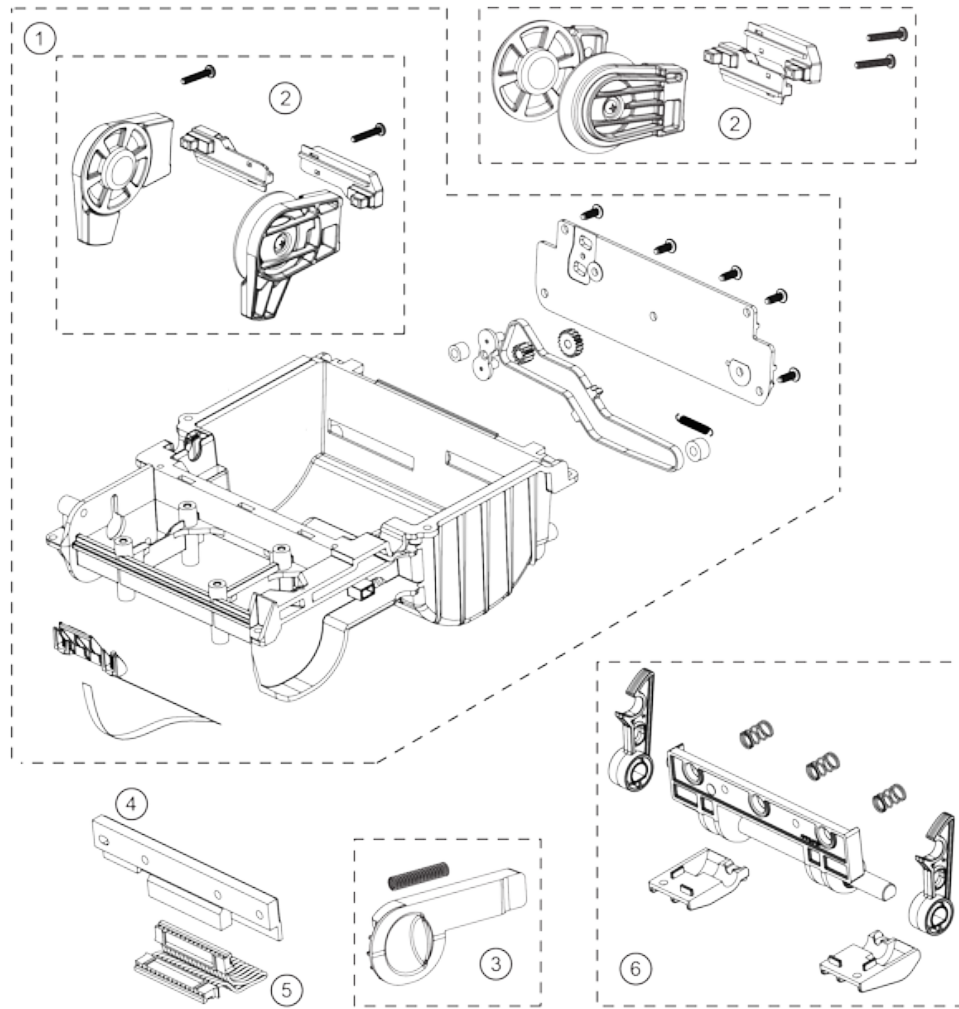
# RL3/3e & RL4/4e Printer Assemblies

**Printer Assembly 1 of 2**



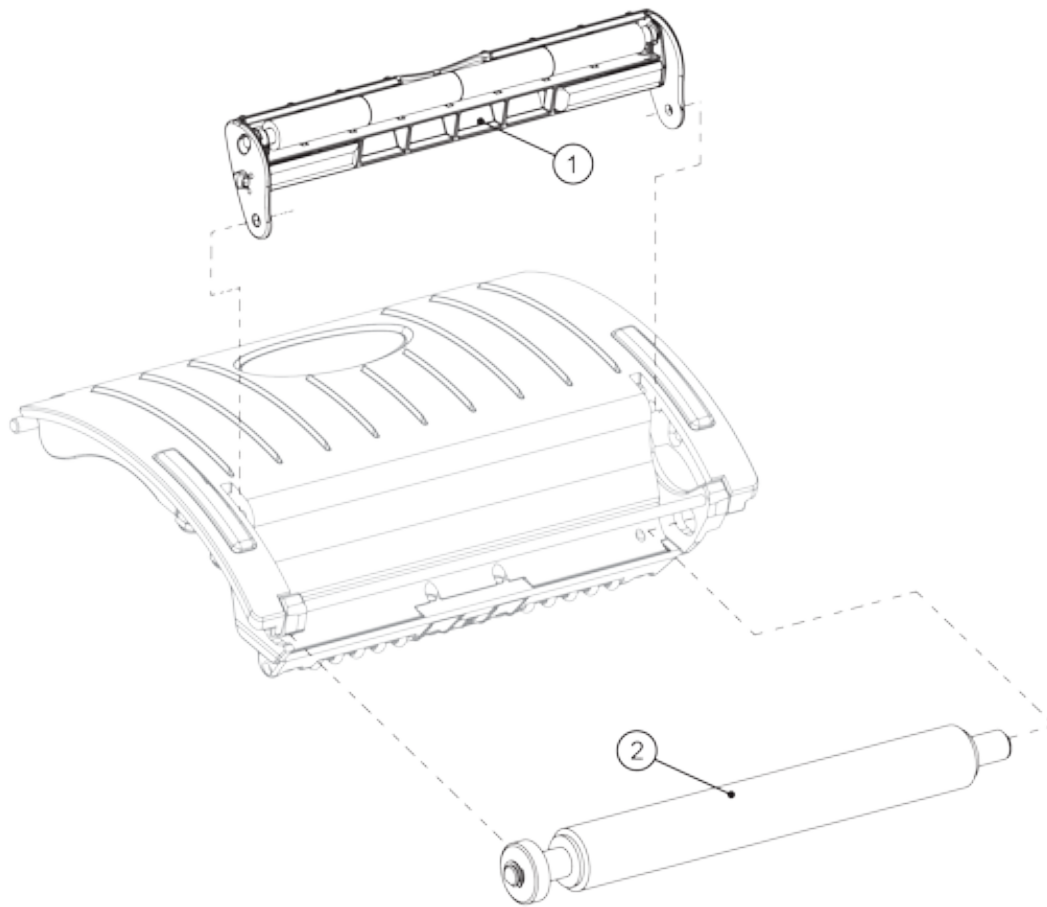
#	Part#	Description	Notes
1	DPR78-2918-01	Gear and Motor Kit, RL	
2	DPR78-2959-01	Kit, Case Top and Lid, RL3	<i>Does not include Platen Roller</i>
	DPR78-2921-01	Kit, Case Top and Lid, RL4	
	DPR78-2922-01	Kit, Case Top and Lid, Linerless RL4	<i>Linerless models only</i>
	DPR78-3006-01	RL3e Top Case Kit	<i>RLe models</i>
	DPR78-3007-01	RL4e Top Case Kit	<i>RLe models</i>
3	DPR78-2961-01	Assy, LCD, RL	<i>RL3 &amp; RL4 Gen3</i>
	DPR78-2929-01	Assy, LCD, RL4	<i>RL4 Gen1 &amp; Gen2</i>
	DPR78-3013-01	LCD Kit	<i>RLe models</i>
4	DPR78-2962-01	Assy, Case Bottom RL3	<i>Does not include Connector PCBA</i>
	DPR78-2927-01	Assy, Case Bottom RL4	<i>Does not include Connector PCBA</i>
5	DPR78-2939-01	(5PK) Cable Door, Over-mold, RL	
6	DPR78-2940-01	Belt Clip Hinge Assy	
7	DPR78-2963-01	(5PK) Media, Door, RL3	
	DPR78-2938-01	(5PK) Media, Door, RL4	

Printer Assembly 2 of 2



#	Part#	Description	Notes
1	DPR78-2949-01	Kit, Printframe, RL3, 0.75 in Media Arm	
	DPR78-2919-01	Kit, Printframe, RL4, 0.75 in Media Arm	
	DPR78-2920-01	Kit, Printframe, RL4, 1 in Media Arm	
2	DPR78-2950-01	Assy, RL, 0.75 in Media Arm	RL3 & RL4 Gen2 & Gen3
	DPR78-2975-01	Assy, RL, 1 in Media Arm	RL3 & RL4 Gen2 & Gen3
	DPR78-2930-01	Assy, RL4, 0.75 in Media Arm	RL4 Gen1
	DPR78-2931-01	Assy, RL4, 1 in Media Arm	RL4 Gen1
3	DPR78-2941-01	(2PK) Printer Latch & Spring	
4	PHD78-2951-01	Printhead, 3 in, RL3	
	PHD20-2267-01	Printhead, 4 in, RL4	
5	DPR78-2952-01	Cable, Printhead, RL3	
	DPR78-2942-01	Cable, Printhead, RL4	
6	DPR78-2953-01	Assy, Replacement Latch RL3	
	DPR78-2928-01	Assy, Replacement Latch RL4	

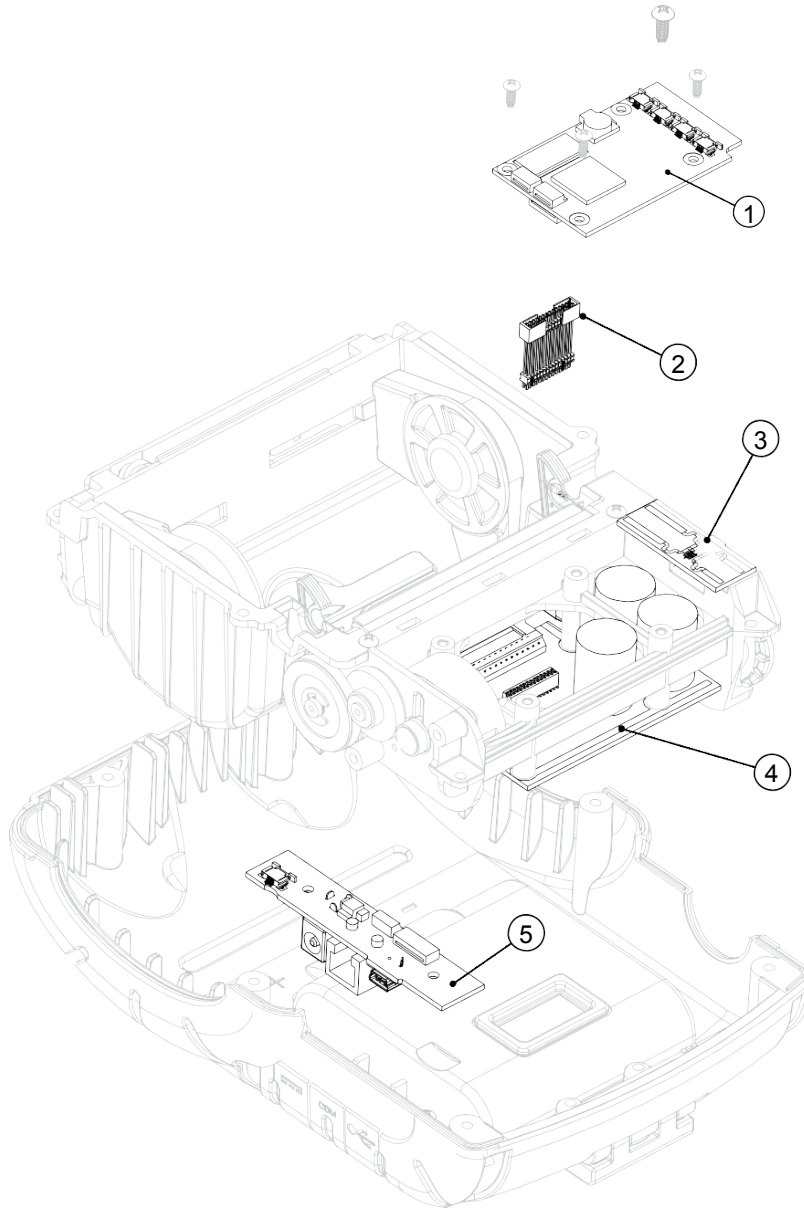
**Platen and Presenter Assemblies**



#	Part#	Description	Notes
1	DPR78-2954-01	Assy, RL3, Replacement Presenter	
	DPR78-2932-01	Assy, RL4, Replacement Presenter	
2	DPR78-2955-01	Assy, RL3, Rep Platen Roller	
	DPR78-2956-01	Assy, RL3, Rep LL Platen Roller	<i>Linerless models only</i>
	DPR78-2933-01	Assy, RL4, Rep Platen Roller	
	DPR78-2934-01	Assy, RL4, Rep LL Platen Roller	<i>Linerless models only</i>

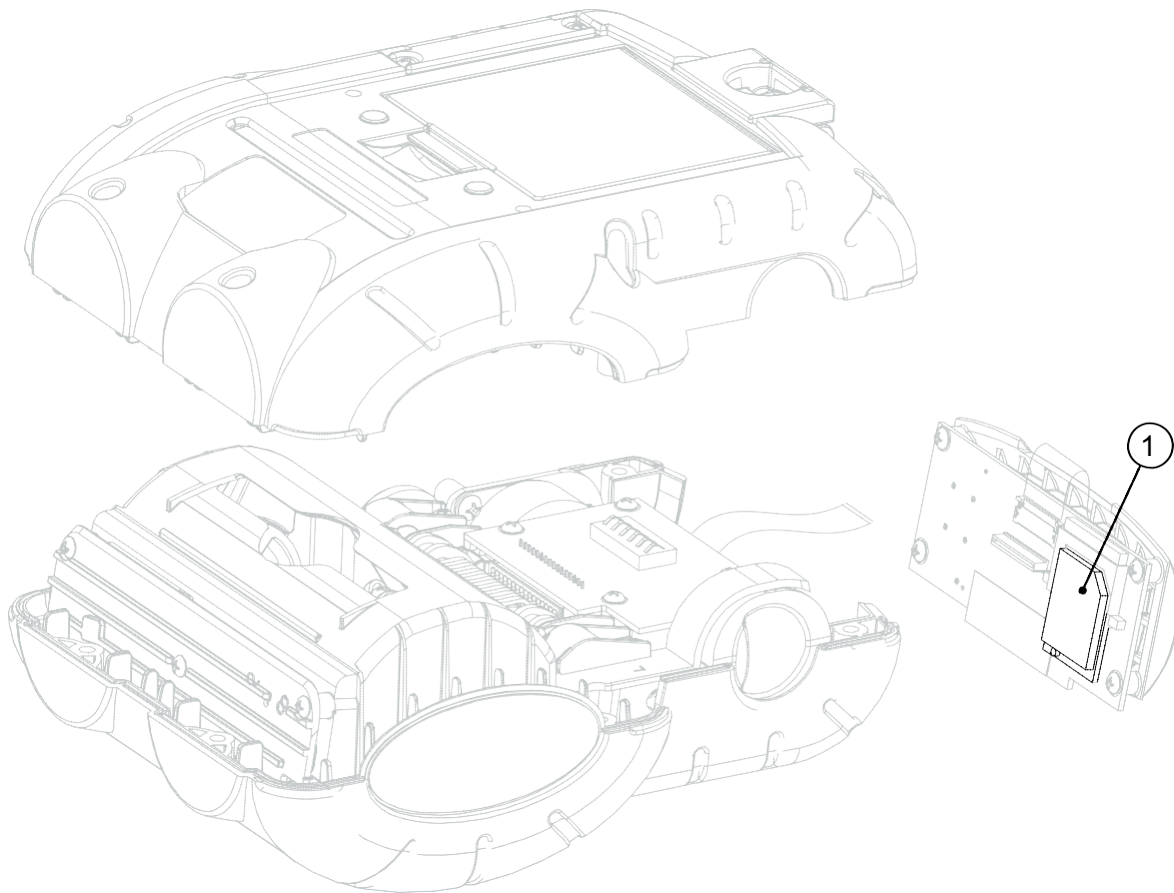


Printed Circuit Board Assemblies



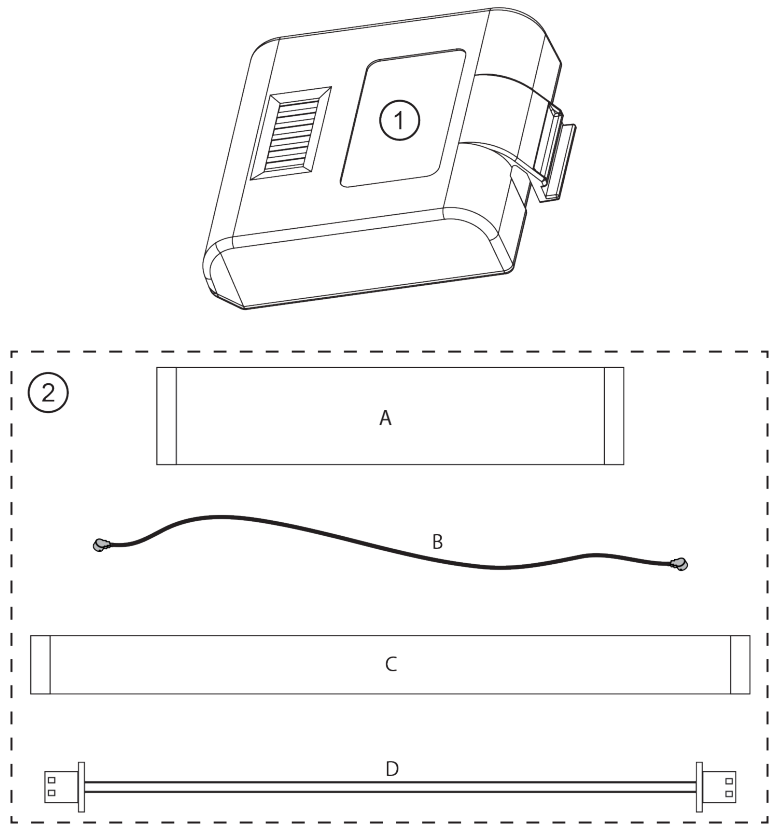
#	Part#	Description	Notes
1	DPR78-2957-01	Kit, PCBA, Main, RL	All models
	DPR78-3008-01	Main PCBA Kit	RLe models
2	DPR78-2966-01	Board Stacker, RL	All models
3	DPR78-2926-01	Kit, Wireless Antenna, RL	802.11 models only
	DPR78-3009-01	Antenna Kit	RLe models
4	DPR78-2958-01	Kit, PCBA, Power, RL	All models
	DPR78-3010-01	Power PCBA Kit	RLe models
5	DPR78-2964-01	Kit, PCBA, Connector, RL	All models
	DPR78-3011-01	Connector Interface Kit	RLe models

**Wireless and Bluetooth Modules**



#	Part#	Description	Notes
1	DPR78-2914-01	BT Module	<i>Bluetooth models only</i>
	DPR78-2915-01	802.11 Module	<i>802.11 models only</i>
	DPR78-2915-01	Module Kit	<i>RLe models</i>

**Battery and Cables**



#	Part#	Description	Notes
1	550046-001	Replacement Battery	
2	DPR78-2976-01	(4PK) Cable, PCBA Conn, 10-pin Flex, RL	<i>RL3 &amp; RL4 Gen2 &amp; Gen3</i>
	DPR78-2977-01	(4PK) Cable, PCBA Conn, 10-pin Flex, RL4	<i>RL4 Gen1</i>
3	DPR78-2917-01	(4PK) Cable Kit, RL	<i>All models</i>

**Kit DPR78-2917-01 contains four (4) of the following:**

	Description	Notes
<b>A</b>	Cable, User Panel, RLP	<i>Main PCBA to Display PCBA</i>
<b>B</b>	Coax Cable, UFL Ultra Mini 4"	<i>Antenna PCBA to 802.11 Module (802.11 models only)</i>
<b>C</b>	Cable, Power, RLP	<i>Power Supply PCBA to Connector PCBA</i>

## Hardware and Materials

Part#	Description	Notes
DPR78-2937-01	Damping Grease, VH 774-55cc Syringe	
DPR78-2936-01	Tape, Kapton, T805-1" x 36 yds	
DPR78-2935-01	Hardware Kit, RL Assorted	

### Kit DPR78-2935-01 contains the following:

Description	Qty	Location
Screw, 4-40 x 1/4" PH FLT	6	Belt Clip
Screw, 4-40 x 3/8 PH Pan	6	Case Bottom
Screw, 4-40 x 5/8" PH, Pan	6	Media Centering
Screw, #4 x 5/16 PH, Pan	6	PCBA CONN
Screw, 4 x 3/8" PH Pan Sheet Metal, Type B	6	Chassis
Screw, 4 x 1/4" PH Pan Type F, B	6	Case Lid
Screw, 6 x 3/8" PH Pan Sheet Metal, Type B	6	Motor/Gear
Screw, M3 x 5 PH, Pan Zinc	6	Printhead/Latch
Screw, 2 x 1/4" PH, Pan, Type A, SS	6	802.11 (Option)
Screw, #4 x 1/4" PH, Flat	6	Case Top
E-Clip, 0.125	6	Presenter
Washer, 5/16 OD, 0.125 ID, 0.03 Thick	6	Media Centering
Spacer, Nylon, 5/16 OD, 3/16 LNG, #6	6	Media Centering
E-Clip, 7/32 Shaft	6	Motor/Gear
Spring, Comp, 0.156 OD x 0.31LNG, Hook	6	Presenter
E-Clip, 3/16 Shaft	6	Platen
Washer, Nylon, #10, 0.44OD, 0.19ID, 0.03THK	6	Platen
Spring, Comp, 0.156 OD x 0.340 LNG	6	Presenter
Spacer, Nylon, 1/4 OD, 7/8 L, #6	6	Presenter Backer Spacer
Spacer, Nylon, 1/4 OD, 3/16 L, #6	6	Media Centering Roller

